







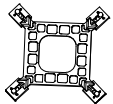
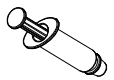



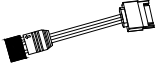
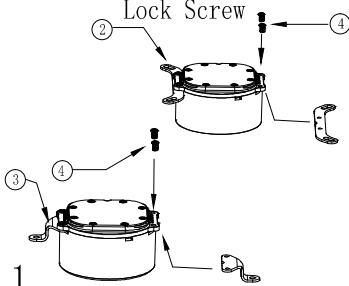
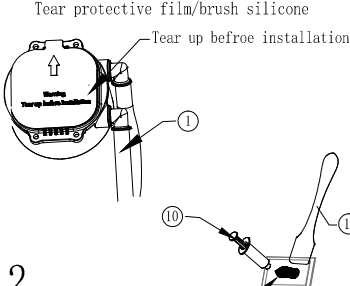
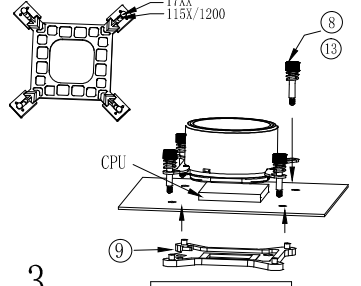
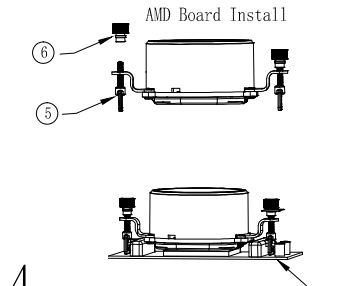
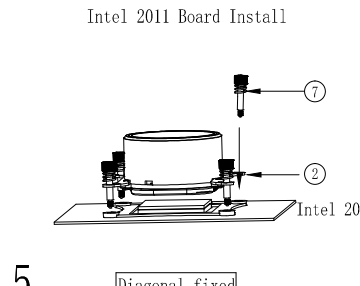


Installation Manual

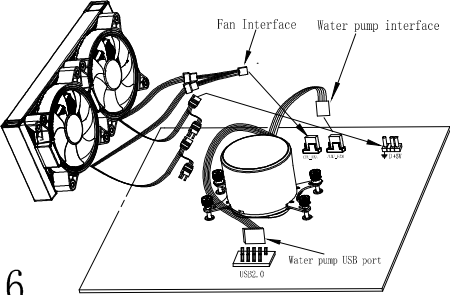
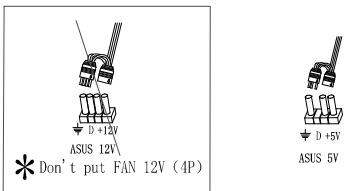
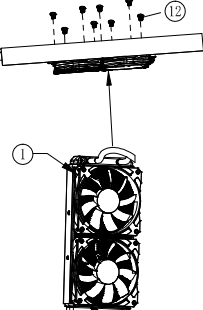
BOM

①  RADIATOR 1 PCS	②  Intel BRACKET 2 PCS	③  AMD BRACKET 2 PCS	④  BRACKET SCREWS 4 PCS	⑤  AMD SCREW CLIP 2 PCS	⑥  AMD THUMB SCREWS 2 PCS	⑦  Intel 2011 Screw 4 PCS
⑧  Intel Screw 4 PCS	⑨  BACKPLATE 1 PCS	⑩  Thermal Grease 1 PCS	⑪  Spoon 1 PCS	⑫  120 Case Screw 4 PCS 240 Case Screw 8 PCS 360 Case Screw 12 PCS	⑬  Intel 17XX Screw 4 PCS	⑭  LED Cable 1 PCS

Installation Guide

 <p>Lock Screw</p> <p>1</p>	 <p>Tear protective film/brush silicone Tear up before installation</p> <p>2</p>	 <p>17XX 115X/1200</p> <p>CPU</p> <p>3</p> <p>Tight The Screw</p>	 <p>AMD Board Install</p> <p>4</p> <p>Motherboard</p>	 <p>Intel 2011 Board Install</p> <p>5</p> <p>Diagonal fixed</p>
---	--	--	---	---

Installation Instructions

 <p>Fan Interface Water pump interface</p> <p>6</p> <p>Water pump USB port</p> <p>USBC_0</p> <p>This LCD screen is a colourful display that shows the pump speed, pump temperature and fan speed. It gives the user a better visualisation of the performance of the liquid cooler</p>	 <p>ASUS 12V * Don't put FAN 12V (4P)</p> <p>ASUS 5V</p> <p>7</p>	 <p>8</p>
---	--	--